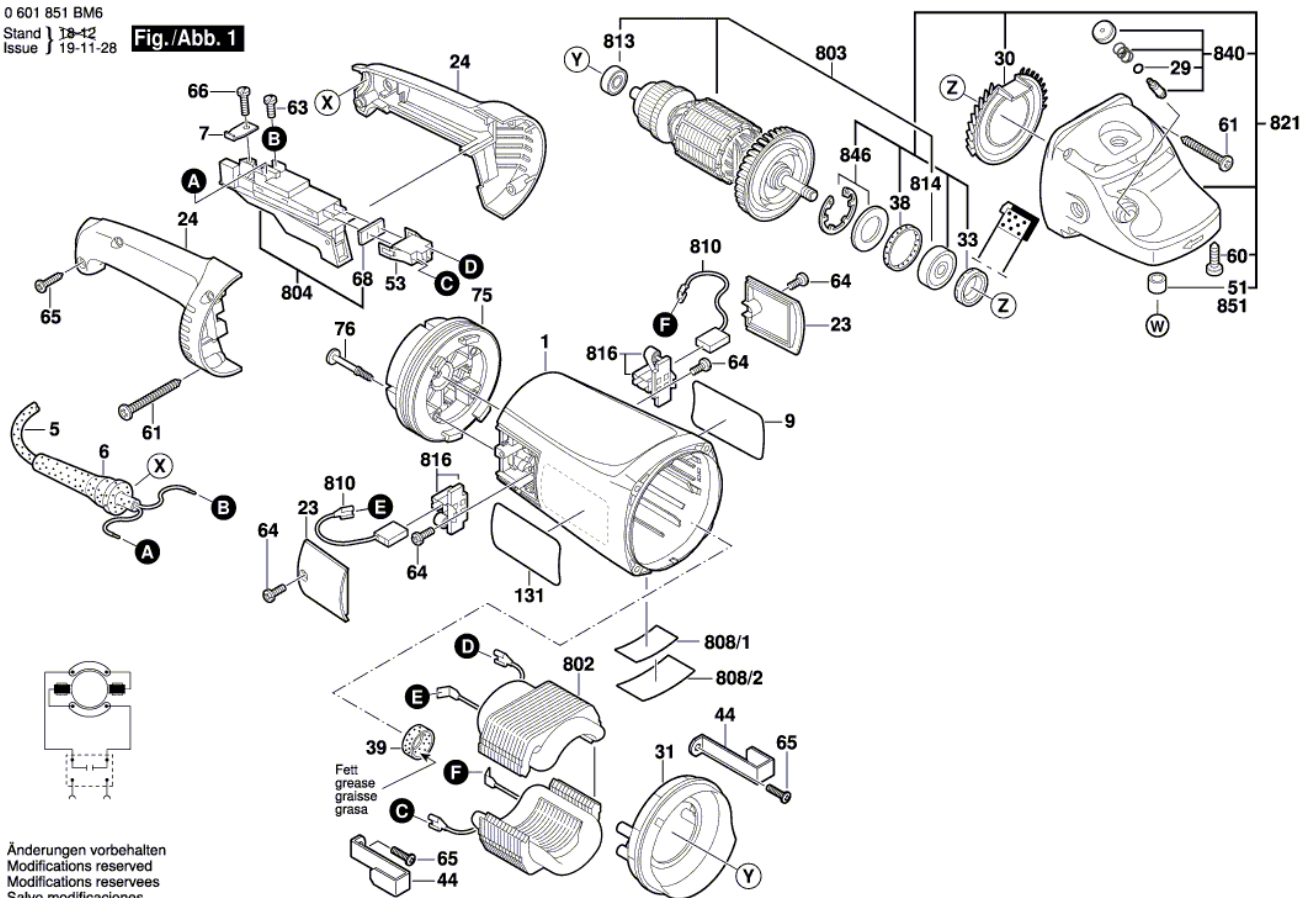




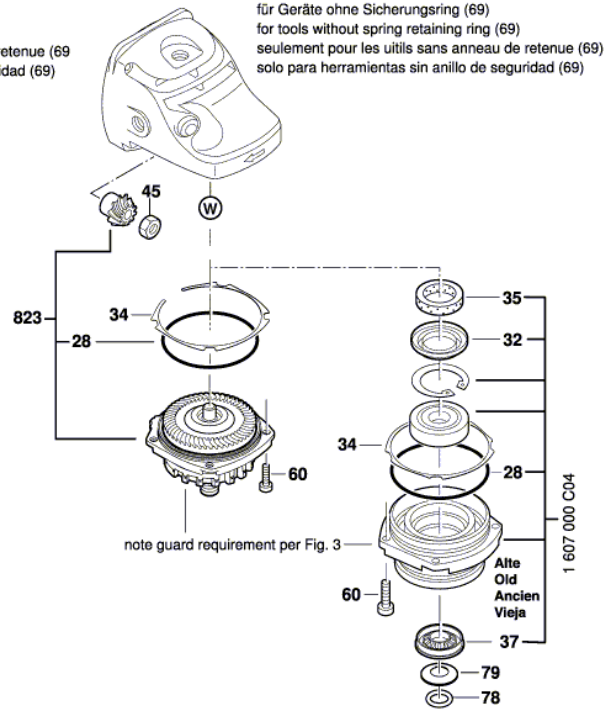
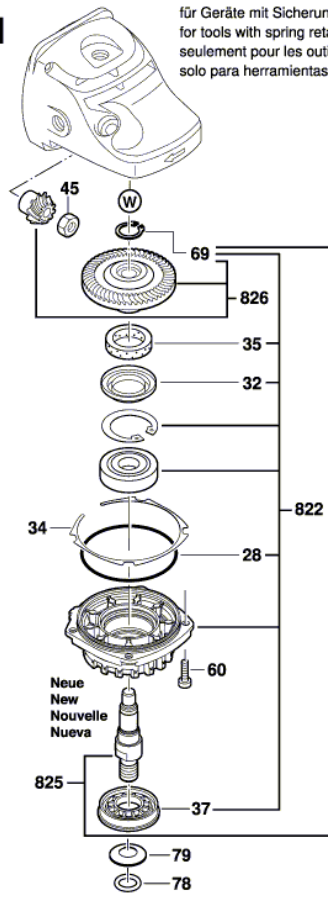
0 601 851 BM6
Stand | 18-12
Issue | 19-11-28

Fig./Abb. 1



0 601 851 BM6
Stand }
Issue } 19-12-16

Fig. /Abb. 2



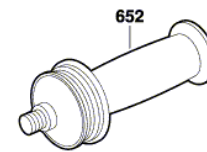
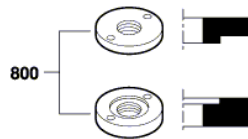
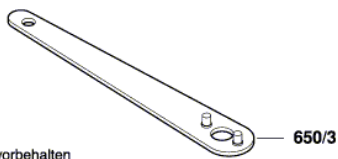
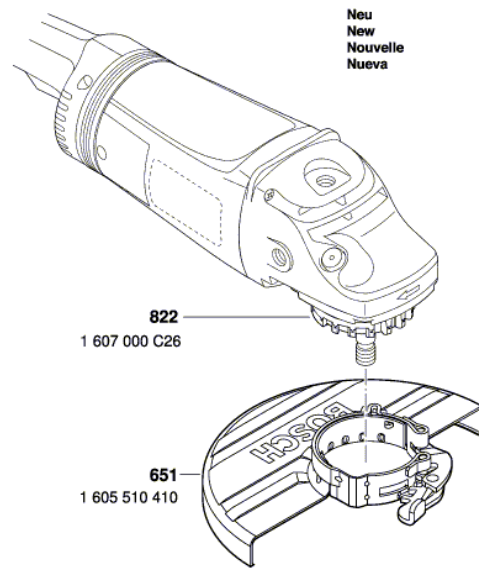
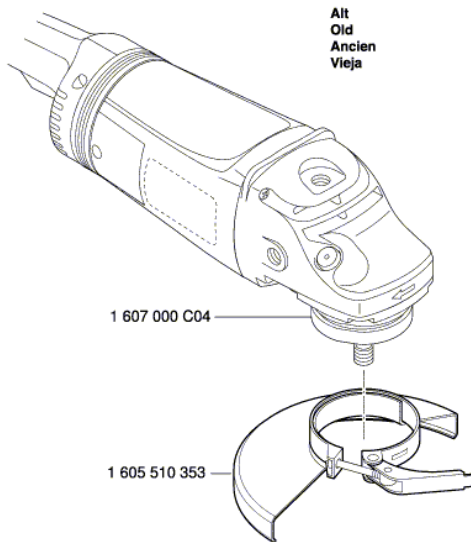
1 607 000 C04

Änderungen vorbehalten
Modifications reserved
Modifications réservées
Salvo modificaciones



0 601 851 BM6
Stand | 19-11
Issue | 19-12-16

Fig./Abb. 3



Änderungen vorbehalten
Modifications reserved
Modifications reserves
Salvo modificaciones



Pos.	Part Number	Description	Pos.	Part Number	Description
1	1 605 108 240	Motor Housing	826	1 619 P15 299	Bevel Gear Set
5	1 604 460 133	Power supply cord	840	1 607 000 354	Push-Button
6	1 600 703 023	Grommet	846	1 607 000 342	Retaining Washer
7	1 601 302 018	Fastening Clamp	851	2 600 910 001	Needle-Roller Bearing
9	1 601 118 F38	Manufacturer's nameplate			
23	1 619 P14 382	Sealing cap			
24	1 605 132 141	Handle			
28	1 600 210 033	O-Ring			
29	1 600 210 045	O-Ring			
30	1 600 591 029	Air Distributor			
31	1 600 591 028	Air-Deflector Ring			
32	1 600 290 019	Retaining snap ring			
33	1 600 290 013	Rotary shaft lip seal			
34	1 600 190 020	Shim			
34	1 600 190 021	Shim			
34	1 600 190 022	Shim			
34	1 600 190 037	Shim			
34	1 600 190 038	Shim			
34	1 600 190 039	Shim			
34	1 600 190 040	Shim			
35	1 600 205 034	Felt Washer			
37	1 600 290 036	Seal Ring			
38	1 600 206 020	Rubber Ring			
39	1 600 206 030	Rubber Ring			
44	1 601 334 009	Pickup Clip			
45	1 603 300 019	Hex Nut			
51	2 600 910 001	Needle-Roller Bearing			
53	1 605 190 068	Socket Housing			
60	1 603 435 023	Thread-forming tap. Screw			
61	2 912 401 038	Tapping Screw			
63	1 603 410 014	Pan head screw			
64	1 603 435 042	Plastic-Cutting Screw			
65	2 912 401 020	Tapping Screw			
66	2 910 211 019	Tapping Screw			
68	1 601 006 011	Sealing Plate			
69	2 916 650 905	Spring retaining ring			
75	1 600 290 057	Damper			
76	1 603 414 016	Collar Screw			
78	1 900 210 111	O-Ring			
79	1 600 171 001	Locking Washer			
131	1 601 118 F78	Reference Plate			
650/3	1 607 950 062	Pin-Type Face-Wrench			
651	1 605 510 410	Protective Cover			
652	1 602 025 030	Auxiliary Handle			
800	1 607 000 380	Parts Set			
802	1 604 220 385	Field			
803	1 604 011 178	Armature			
804	1 607 000 704	On-Off Switch			
808/1	1 619 P07 019	Nameplate			
808/2	1 619 P01 490	Transparent Cover			
810	1 607 014 178	Carbon-Brush Set			
813	1 600 905 011	groove ball bearing			
814	1 600 905 028	groove ball bearing			
816	1 604 336 048	Brush Holder			
821	1 607 000 C03	Gear Housing			
822	1 619 P15 389	Bearing Flange			
823	1 619 P15 646	Bearing Flange			
825	1 619 P15 387	Grinding Spindle			